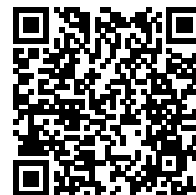
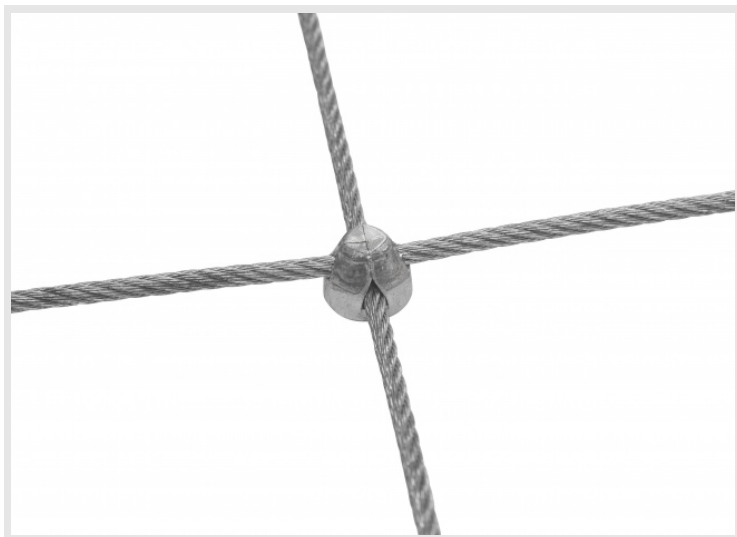


Product Data Sheet Item No. 4625-050/150

Custom-made Steel Wire Net (by the m²)

Schutznetze24 GmbH
Weyerberg 5, DE-35614 Aßlar-Berghausen
Phone: +49 (0) 6443 - 436 96 40
Mail: office@safetynet365.com
Web: www.safetynet365.com



TECHNICAL DATA

| | |
|---|---|
| Material | steel, galvanised, clamps made of aluminium |
| Material Diameter | Ø 0.10" |
| Mesh Size | 2.0" x 6.0" |
| Pose of Meshes | rectangular |
| Mesh Connection | clamp-connection with four-wire connector |
| Rope Construction | 7 x 7 |
| Edge Design | loops |
| Breaking Force | minimum breaking force of rope: 1,080 lbf |
| Slip Resistance of Wire Connectors | 240 lbf |
| Continuous Operating Temperature | -40 to +300 °F |
| Weather-Resistance | very good |
| Electrical Characteristics | electrically conducting |
| Customs Tariff No. | 73129000 |
| Area Density | 19.15 oz/yd ² |